



TECHNICAL DATA

Input Voltage: DC 12V
 Input Current: 30mA Max
 Input Power: 0.36W
 Output Current: 10mA Max
 Output Power: 0.1W
 Dimming: Class 2, 0-10V DC 10mA Max
 Sinking Current: 10mA Max

Bluetooth Transmit: 100ft Max
 Radio Frequency: 2.4GHz ± 75MHz
 Bluetooth Version: 5.0
 Housing Material: UL 94-5VA
 Indoor Use Only
 Detection Range: 32ft Max
 Mounting Height: 15ft Max
 Operating Temperature: -30°C to 55°C,
 -22°F to 131°F
 Storage Temperature: -30°C to 85°C,
 -22°F to 185°F
 IP Rating: IP20
 Color: White

Complies to UL8750, RoHS
 Safety: cULus Recognized Component

DESCRIPTIONS

BMS-L108-PIR-DC-BLE-KL-AUX-D1 sensors have integrated daylight harvesting and PIR motion sensing capabilities. These sensors are designed to upgrade luminaires with wireless Bluetooth mesh communication, enabling Luminaire Level Lighting Control (LLLC). The compact structure is designed for panels, troffers, strips, wraps, vapor tights and some architecture lighting fixtures.

FEATURES

- Daylight harvesting + PIR digital sensing technology
- Low-profile linear design with minimal height above luminaire
- 2.5mm Audio Jack Base
- Digital sensor design

Note:

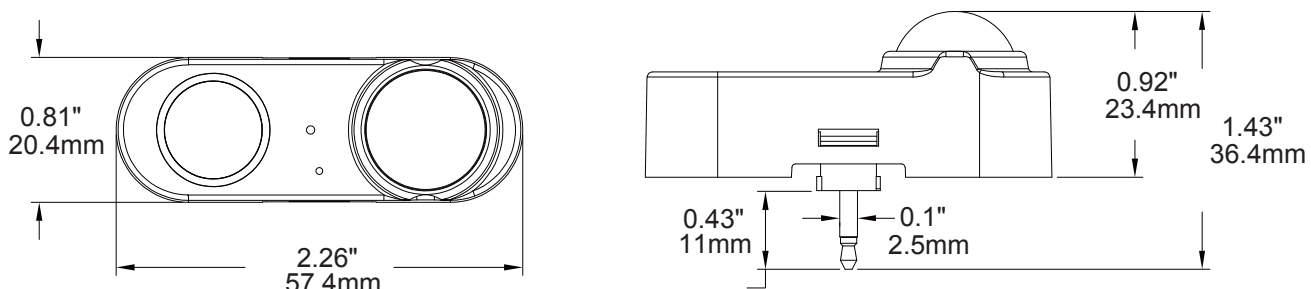
- Requires customized, tooled hole to install this sensor
- Requires Dim-to-Off LED drivers
- Requires Audio Jack receptacle

ORDERING INFORMATION

Model No.	Description
BMS-L108-PIR-DC-BLE-KL-AUX-D1	Plug and Play Low Bay Sensor- -2.5mm Audio Jack Base
SC05	Slim size audio jack receptacle

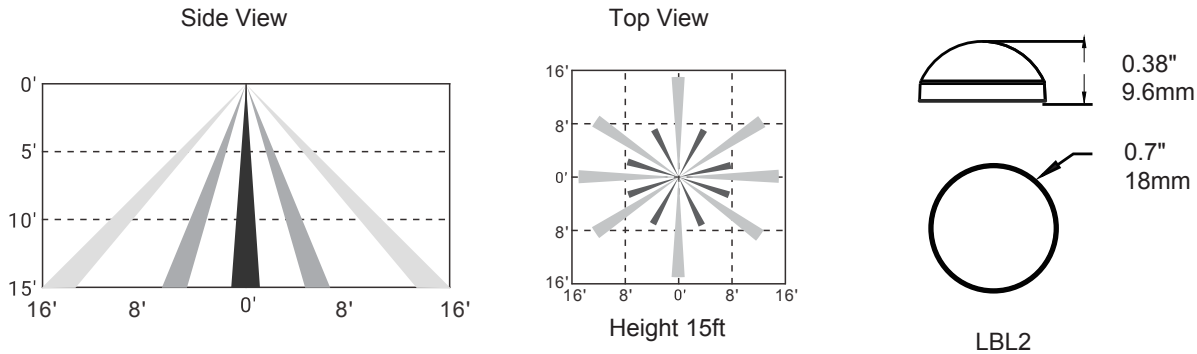
PHYSICAL DIMENSIONS

Unit:inch/mm

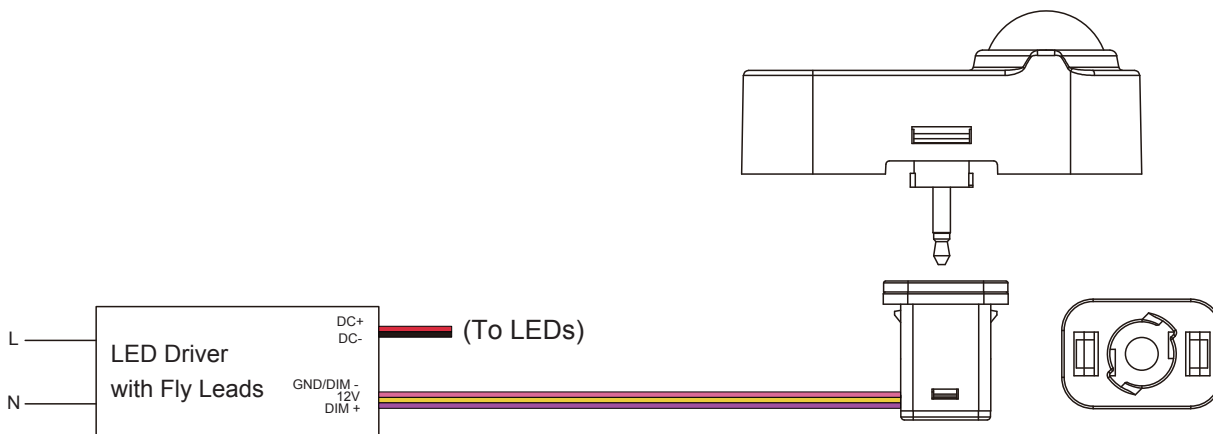


DETECTION AREA

Unit: inch/mm



WIRING DIAGRAM



WARRANTY

Five year limited warranty.

Specifications subject to change without notice.